

CivaStar™ Advanced Overfill Sensor

The CivaStar Advanced Overfill Sensor is the future of overfill prevention technology. With its advanced design, construction and unique LED visual verification system, CivaStar accurately and reliably detects the presence of liquids and performs real-time diagnostics – a first for the overfill sensor market.



Assured. Reliability.

CivaStar's advanced design, construction and unique LED visual verification feature optimizes probe reliability and permissive readings at the loading rack so your trucks get loaded on time and your customers get their deliveries on schedule.



Lighting The Way.

Save time and money tracking down the source of non-permissive readings. CivaStar features a unique LED light in the tip of the probe to provide immediate visual verification and diagnostics of non-permissive probe readings.



You're Set Forever.

Set it and forget it. The specially engineered replaceable optic sensor head provides for reliable liquid detection and trouble-free installation or replacement without the need to ever reset probe heights.

Specifications

- Available in 2-wire and 5-wire
- Cap O-ring Seal - Silicone
- Locking Nut - Plated Steel
- Viscosity - Less than 1000 SSU Prism
- Snap Ring - Stainless-steel
- Weight 0.521 kg
- Operating Temperature
-40°F (-40°C) to 158°F (70 °C)
- Special length sensors are available upon request



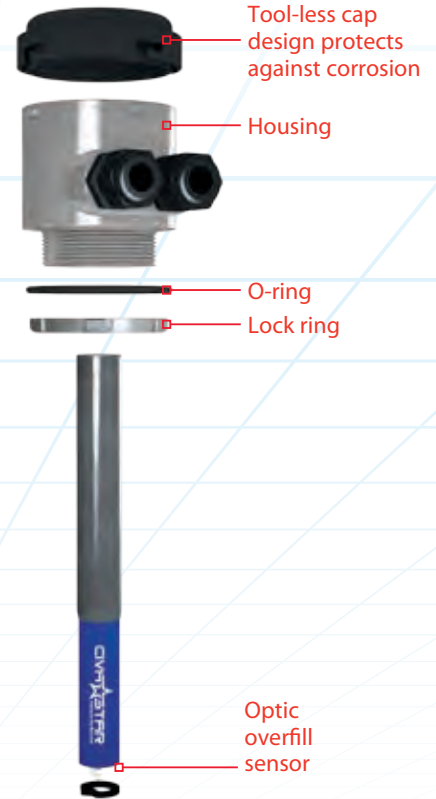
CIVA★STAR
Advanced Overfill Sensor

CivaStar™ Advanced Overfill Sensor



CivaStar goes beyond overfill prevention. Real-time diagnostics keep your trucks on the road and delivering loads, something the competition can't deliver.

Feature	Benefit	CivaStar	Other
Detects the presence of a liquid	Provides overfill protection	Yes	Yes
5-year warranty	Peace of mind	Yes	Yes
LED diagnostics	Eliminates time-consuming and expensive guesswork	Yes	No
Tool-less cap	Quick removal and protects against corrosion	Yes	No
Tool-less spring adjustment	Set length once with torsion spring	Yes	No
Sensor replacement	Rapidly swap sensor without removing tube	Yes	No



Ordering Specifications & Cross-Reference

5-Wire Probe

5-Wire Replacement Probe Part Numbers

CivaStar Sensor Part #	Old-Style Part #
5300N-18	1302-0018B
5300N-14	1302-0014B
5300N-12	1302-0012B
5300N-7	1302-007B

5-Wire Probe with Housing Part Numbers

CivaStar Sensor Part #	Old-Style Part #
5310N-18	1110-0018B
5310N-14	1110-0014B
5310N-12	1110-0012B
5310N-7	1110-007B

2-Wire Probe

2-Wire Gray/Gray Replacement Probe Part Numbers

CivaStar Sensor Part #	Old-Style Part #
5650U-18	1651-0018B
5650U-14	1651-0014B
5650U-12	1651-0012B
5650U-7	1651-007B

2-Wire Red/Black Replacement Probe Part Numbers

CivaStar Sensor Part #	Old-Style Part #
5350-18	1351-0018B
5350-14	1351-0014B
5350-12	1351-0012B
5350-7	1351-007B

2-Wire Black/White Replacement Probe Part Numbers

CivaStar Sensor Part #	Old-Style Part #
5650-18	1651-0018B
5650-14	1651-0014B
5650-12	1651-0012B
5650-7	1651-007B

2-Wire Probes w/ Housing

2-Wire Gray/Gray Probe with Housing Part Numbers

CivaStar Sensor Part #	Old-Style Part #
5610U-18	1551-0018B
5610U-14	1551-0014B
5610U-12	1551-0012B
5610U-7	1551-007B

2-Wire Red/Black Probe with Housing Part Numbers

CivaStar Sensor Part #	Old-Style Part #
5610RB-18	1051-0018B
5610RB-14	1051-0014B
5610RB-12	1051-0012B
5610RB-7	1051-007B

2-Wire Black/White Probe with Housing Part Numbers

CivaStar Sensor Part #	Old-Style Part #
5610-18	1551-0018B
5610-14	1551-0014B
5610-12	1551-0012B
5610-7	1551-007B

2-Wire Red/Black Replacement Probe Part Numbers

CivaStar Part #	Old-Style Part #
5650U-18*	1351-0018B
5650U-14*	1351-0014B
5650U-12*	1351-0012B
5650U-7*	1351-007B

* Not compatible with 3200 or 3208 Monitors