

# API Tank Truck Adaptor

CIVACON's API bottom loading adaptors are precisely engineered to match standard loading couplers and increase service performance.



891BA, API Adaptor



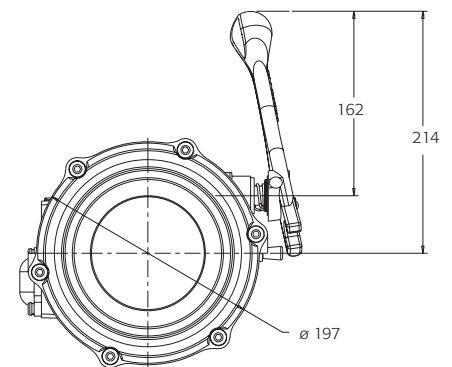
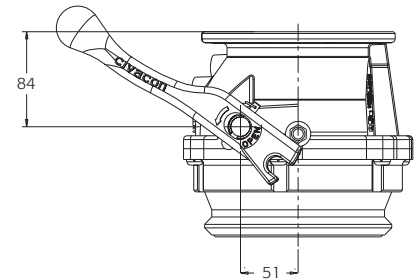
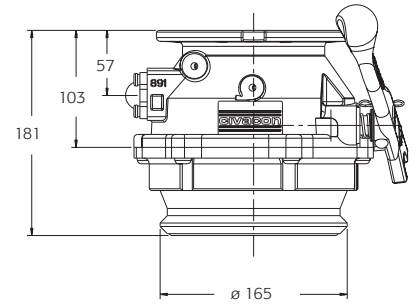
891NB, API Adaptor

## Features and Benefits

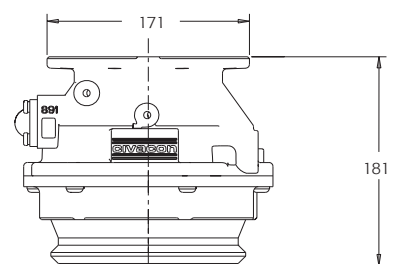
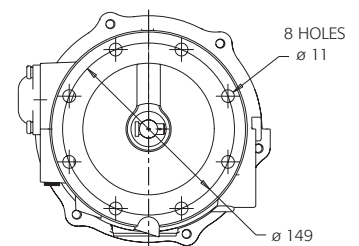
- **Designed in accordance** with API RP 1004 and EN13083
- **Two piece** lightweight aluminium construction for maximum strength and weight reduction
- **4" TTMA** mounting flange
- **Nominal size 4"** or DIN100
- **Rotatable** hard-coated nose piece for maximum service life
- **Flat bottom** ensures complete drainage
- **Minimum number of internals** to minimize pressure drop and improve flow rate
- **Bushed running surfaces** for efficient operation
- **Stainless Steel** internals for maximum service life
- **Viton GFLT** seals
- **Compatible** with diesel, bio diesel, gasoline, ethanol and methanol
- **Heavy duty** poppet with an acetal resin bearing for smoother opening characteristics
- **Easy-grip** aluminium lever
- **Mounting plugs** for model 300/301 air interlock valve
- **Grease nipple** on handle for easy maintenance

## Specifications

### 891BA API ADAPTER OPENABLE



### 891NB API ADAPTER NON-OPENABLE



All dimensions are in mm

## Spare parts

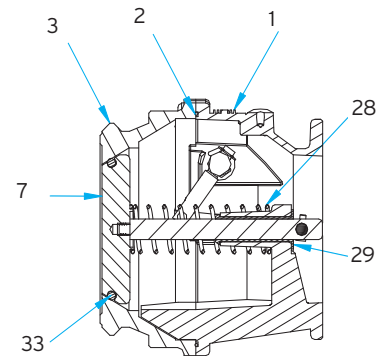
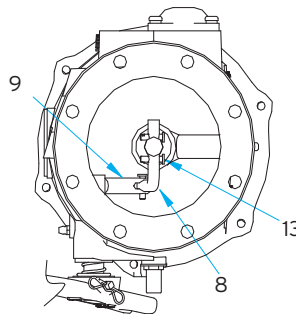
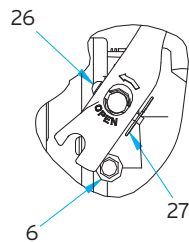
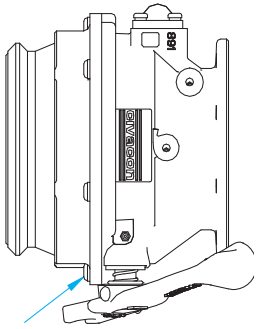
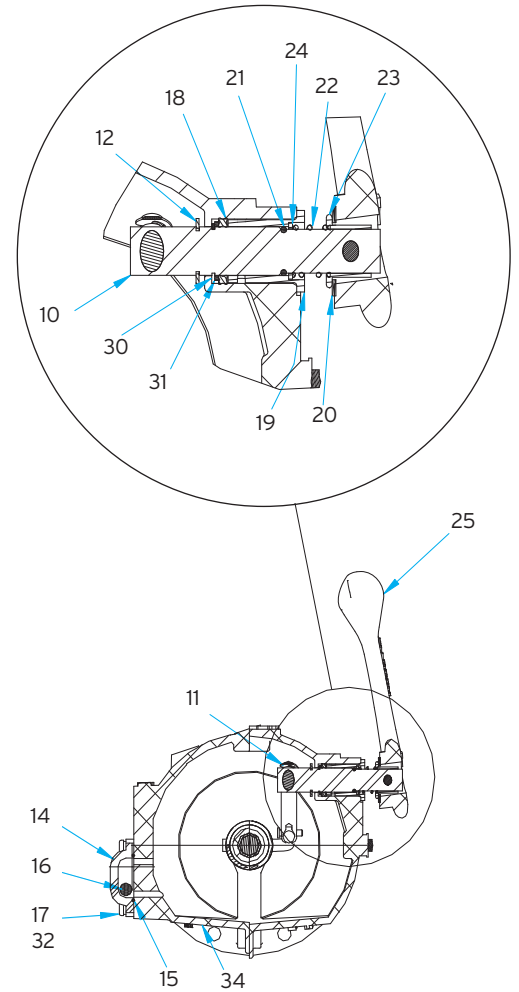
### Repair kit

891HRK	Handle repair kit
891ORK	O-Ring Repair Kit
891SRK	Shaft Repair Kit
891BRK	Sight glass repair kit for 891-897-861

*Spare part only supplies as complete kit*

Item	Part Nr	Description	QTY	Item	Part Nr	Description	QTY
1	11548	BODY, MACHINED	1	19	11536	BEARING <sup>14</sup>	1
2	11905	O-RING <sup>2</sup>	1	20	10840	NYLON WASHER <sup>14</sup>	1
3	11550	ADAPTOR FACE	1	21	H06924M	O-RING <sup>12,4</sup>	1
4	10806M	LOCK WASHER	6	22	H20182M	SPRING <sup>14</sup>	1
5	11534	SCREW	6	23	11490	HUB <sup>14</sup>	1
6	H20051M	STOP PIN	1	24	H20199M	NYLON WASHER <sup>14</sup>	1
7	11850	POPPET	1	25	11460	HANDLE <sup>1</sup>	1
8	11545	LINK, POPPET/HANDLE	1	26	H08901M	FULCRUM PIN <sup>14</sup>	1
9	11544	LINK, SHAFT	1	27	11623	BOWTIE CLIP <sup>14</sup>	1
10	11543	SHAFT <sup>14</sup>	1	28	11664	SPRING	1
11	11661	E-CLIP	1	29	11665	BEARING	1
12	11662	E-CLIP	1	30	11703	RETAINING RING	1
13	11618	CLEVIS PIN	3	31	11704	WASHER <sup>14</sup>	1
14	11365M	SIGHT GLASS <sup>3</sup>	1	32	H20057M	LOCK WASHER <sup>3</sup>	4
15	H51437M	O-RING <sup>3</sup>	1	33	H20058M	O-RING <sup>2</sup>	1
16	H51384M	FLOAT BALL <sup>3</sup>	1	34	12080	PLUG, 3/8" NPT	1
17	11366M	SCREW <sup>3</sup>	4				
18	11705	QUAD RING <sup>12,4</sup>	1				

1-Included in 891HRK, 2-Included in 891ORK, 3-Included in 891BRK, 4-Included in 891SRK



## General specifications

■ Nominal size	4" or DIN100
■ Maximum flow rate	2.500 litre/minute
■ Seal	Viton GFLT
■ Working temp.	-40°C to +70°C other temp. on request
■ Weight	891BA 5,1 Kg 891NB 4,2 Kg

## Ordering specifications

Art. number	Description
891	API Adaptor with Handle
891BA	4" API bottom loading adaptor with aluminium handle and sight glass
891NB	4" API non-openable bottom loading adaptor with sight glass

## Related products

Art. number	Description
300/301	Air interlock valve
875-AL40	API dust cap
11240	4" TTMA sight glass
11293M	Guard bar interlock
GASK0052	4" TTMA gasket
FAL0009	4" TTMA flange aluminium
FST0025	4" TTMA flange steel